

PowerShot S70

PowerShot S60

Digital Camera

English Edition



© CANON INC. All Right Reserved

GENERAL DESCRIPTION
OF PRODUCT

TECHNICAL
DESCRIPTION

REPAIR
INSTRUCTION

PARTS CATALOG

DIAGRAMS

APPENDIX

PARTS CATALOG

CONTENTS

PowerShot S70

PowerShot S60

Casing Parts	Pg1
Internal Parts-1	Pg2
Internal Parts-2	Pg3
Fuse	Pg4
Accessories-1	Pg5
Accessories-2	Pg6
Accessories-3	Pg7
Service Tools-1	Pg8
Service Tools-2	Pg9

CLASS凡例

- A: 使用頻度 高
- B: 使用頻度 中
- C: 使用頻度 低
- D: 安全規格部品
- E: 消耗部品
- F: 標準ネジ、ワッシャー
- S: 供給制限品
- Y: サービス工具

Category of CLASS

- A: Frequency of use: High
- B: Frequency of use: Middle
- C: Frequency of use: Low
- D: Safety-related critical parts
- E: Consumable parts
- F: Standard screws and washers
- S: Supply of the parts is limited
- Y: Service Tools

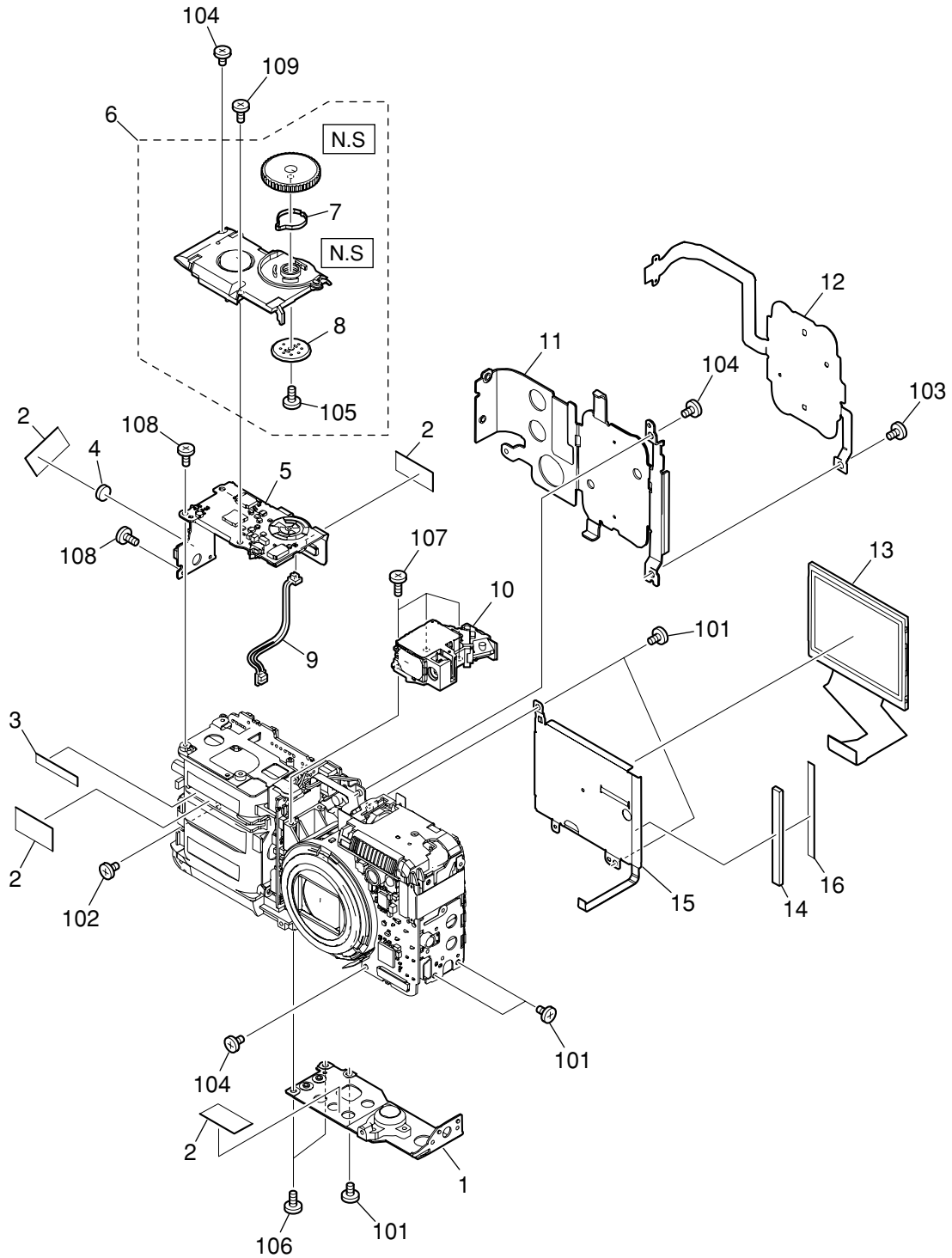
CAUTION

⚠ がついている部品は安全上重要な部品です。交換時は、必ず指定の部品を使用してください。
Especially critical parts in the power circuit block should not be replaced with other marks.
Critical parts are marked with ⚠ in this parts list

PARTS LIST

SYMBOL	PARTS NO.	CLASS	QTY	DESCRIPTION	REMARKS
1	CD3-2417-000	C	1	SPRING, LID	
2	CM1-2672-000	B	1	LID UNIT, BOTTOM	PowerShot S70
	CM1-2404-000	B	1	LID UNIT, BOTTOM	PowerShot S60
3	CM1-2675-000	B	1	COVER UNIT, FRONT	PowerShot S70
	CM1-2408-000	B	1	COVER UNIT, FRONT	PowerShot S60
4	CD3-2416-000	C	1	SHAFT, LID	
5	CD3-2122-000	C	1	SPACER, FINDER	
6	CD3-3162-000	B	1	LID, COUPLER	PowerShot S70
	CD3-2401-000	B	1	LID, COUPLER	PowerShot S60
7	CD3-2402-000	C	1	SPRING, COUPLER LID	
8	CM1-2674-000	B	1	COVER UNIT, TOP	PowerShot S70
	CM1-2407-000	B	1	COVER UNIT, TOP	PowerShot S60
9	CD3-2424-000	C	1	SPACER, LCD	
10	CD3-3152-000	B	1	WINDOW, LCD	PowerShot S70
	CD3-2379-000	B	1	WINDOW, LCD	PowerShot S60
11	CM1-2676-000	B	1	COVER UNIT, REAR	PowerShot S70
	CM1-2409-000	B	1	COVER UNIT, REAR	PowerShot S60
12	CD3-2380-000	C	1	WINDOW, POWER LED	
13	CM1-2671-000	B	1	CROSS KEY UNIT	PowerShot S70
	CM1-2399-000	B	1	CROSS KEY UNIT	PowerShot S60
14	CY1-6361-000	B	1	PLATE, BODY NUMBER	PowerShot S70
	CY1-6336-000	B	1	PLATE, BODY NUMBER	PowerShot S60
15	CD3-2949-000	B	1	COVER, JACK	PowerShot S70
	CD3-2349-000	B	1	COVER, JACK	PowerShot S60
16	CD3-2948-000	B	1	BASE, JACK	PowerShot S70
	CD3-2348-000	B	1	BASE, JACK	PowerShot S60
17	CD3-3359-000	C	1	SHEET, BUTTON	
18	CD3-3646-000	C	1	SHEET, TOP	
101	CD3-3167-000	C	7	SCREW	PowerShot S70
	CD3-2563-000	C	7	SCREW	PowerShot S60
102	CD3-2564-000	C	1	SCREW	
103	CD3-3169-000	C	2	SCREW	PowerShot S70
	CD3-2565-000	C	2	SCREW	PowerShot S60
104	CD3-3170-000	C	2	SCREW	PowerShot S70
	CD3-2737-000	C	2	SCREW	PowerShot S60
105	XA1-7170-257	F	1	SCREW	

Internal Parts-1

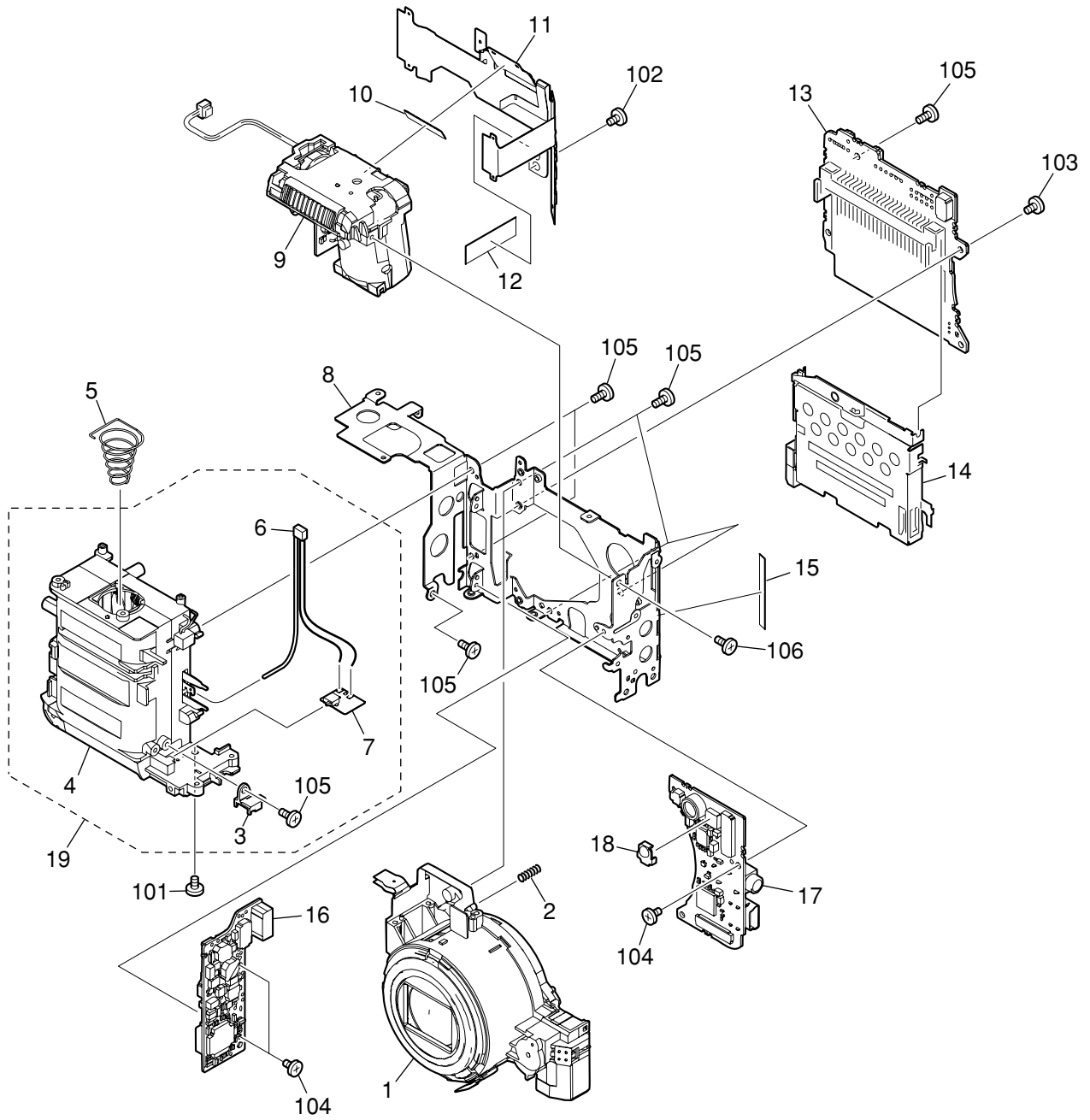


N.S : N.S Stand for No Stock

PARTS LIST

SYMBOL	PARTS NO.	CLASS	QTY	DESCRIPTION	REMARKS
1	CM1-2403-000	C	1	TRIPOD BASE UNIT	
2	CD3-2933-000	C	4	TAPE, 18 X 9 PVF FILM	
3	CD3-2559-000	C	1	TAPE, 22 X 3 DOUBLE-SIDE	Discontinued soon
4	WK1-5140-000	C	1	BATTERY, LITHIUM-ION	
5	CM1-2424-000	C	1	OPERATE ASS'Y	
6	CM1-2677-000	C	1	OPERATE UNIT	PowerShot S70
	CM1-2410-000	C	1	OPERATE UNIT	PowerShot S60
7	FC2-8744-000	C	1	SPRING, MODE DIAL CLICK	
8	CL1-1060-000	C	1	BUSH UNIT	
9	CK2-2159-000	C	1	WIRE, OPERATE - DC/DC	
10	CM1-2520-000	C	1	FINDER UNIT	
11	CD3-2374-000	C	1	PLATE, REAR	
12	CM1-2426-000	C	1	REAR ASS'Y, 1	
13	WG2-5267-000	C	1	PANEL, LCD	
	WG2-5267-001	C	1	PANEL, LCD (SELECTION)	
14	CD3-2444-000	C	1	CUSHION, BACK LIGHT	
15	CM1-2400-000	C	1	BACK LIGHT UNIT	
16	CD3-3174-000	C	1	SHEET, LCD	PowerShot S70
101	CD1-3108-000	C	5	SCREW	
102	CD3-2456-000	C	1	SCREW	NKGRIP
103	CD3-2936-000	C	1	SCREW	NKGRIP
104	XA1-7170-257	F	3	SCREW	
105	XA4-5170-307	C	1	SCREW	
106	XA4-5170-357	F	2	SCREW	
107	XA4-9140-407	F	3	SCREW	
108	XA4-9170-307	F	2	SCREW	
109	XA4-9170-357	F	1	SCREW	

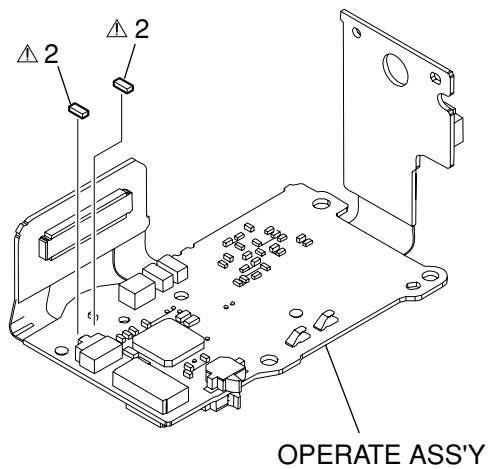
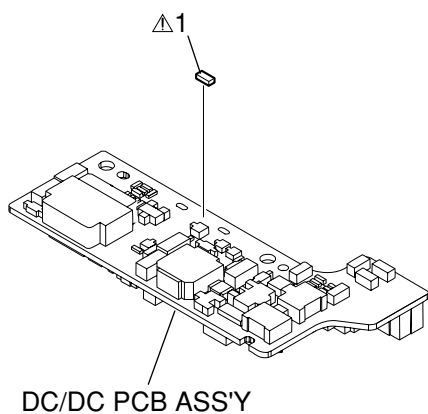
Internal Parts-2



PARTS LIST

SYMBOL	PARTS NO.	CLASS	QTY	DESCRIPTION	REMARKS
1	CM1-2705-000	C	1	OPTICAL UNIT	PowerShot S70
	CM1-2521-000	C	1	OPTICAL UNIT	PowerShot S60
2	CD3-2086-000	C	1	SPRING, CCD	
3	CD3-2405-000	C	1	HOLDER, SWITCH	
4	CM1-2406-000	C	1	BATTERY BOX UNIT	
5	CD3-2406-000	C	1	SPRING, EJECT	
6	CK2-2158-000	C	1	WIRE, LID SWITCH	
7	CM1-2427-000	C	1	SWITCH ASS'Y	
8	CD3-2395-000	C	1	FRAME, MAIN	
9	CM1-2402-000	C	1	FLASH UNIT	
10	CD3-2558-000	C	1	TAPE, 16 X 7 DOUBLE-SIDE	
11	CM1-2425-000	C	1	REAR ASS'Y, 2	
12	CD3-2935-000	C	1	TAPE, 21 X 9.6 BUSTERAID K4E	
13	CM1-2578-000	C	1	PCB ASS'Y, MAIN	PowerShot S70
	CM1-2422-000	C	1	PCB ASS'Y, MAIN	PowerShot S60
14	WS3-5920-000	C	1	EJECTOR, CARD	
15	CD3-2559-000	C	1	TAPE, 22 X 3 DOUBLE-SIDE	
16	CM1-2429-000	C	1	PCB ASS'Y, DC/DC	
17	CM1-2423-000	C	1	PCB ASS'Y, JAL	
18	CD3-1650-000	C	1	LENS, CONTROLLER	
19	CM1-2406-010	C	1	BATTERY BOX UNIT	
101	CB3-0228-000	C	1	SCREW	
102	CD1-3108-000	C	1	SCREW	
103	CD3-2936-000	C	1	SCREW	NKGRIP
104	XA1-7170-257	F	3	SCREW	
105	XA4-5170-357	F	8	SCREW	
106	XA4-9170-357	F	1	SCREW	

Fuse

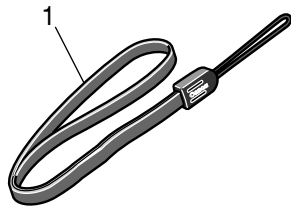


PARTS LIST

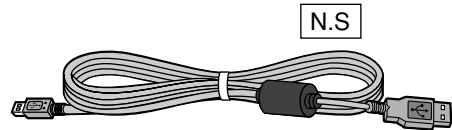
SYMBOL	PARTS NO.	CLASS	QTY	DESCRIPTION	REMARKS
△ 1	VD7-2242-501	D	1	FUSE, LITTEL 049402.5	F2
△ 2	VD7-2242-001	D	2	FUSE, LITTEL 0494002.	FU100, FU1

Accessories-1

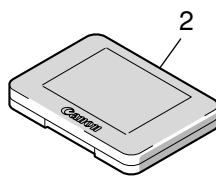
Wrist Strap WS-300



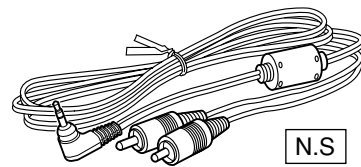
**USB Interface Cable
IFC-400PCU**



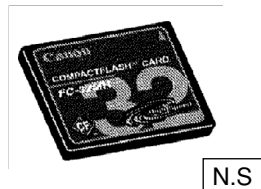
CF CASE



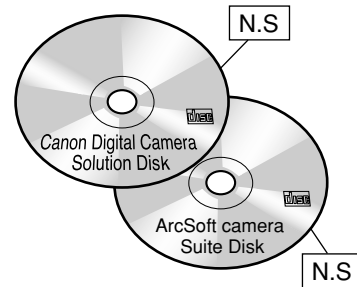
AV Cable AVC-DC300



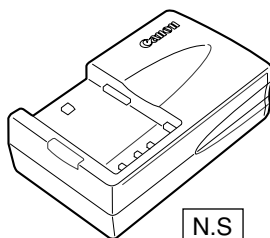
CF Card FC-32MH



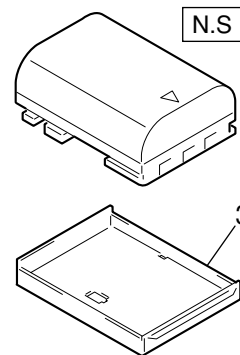
**Canon Digital Camera
Solution Disk,
ArcSoft camera Suite Disk**



**Battery Charger
CB-2LT / CB-2LTE**



Battery Pack NB-2LH



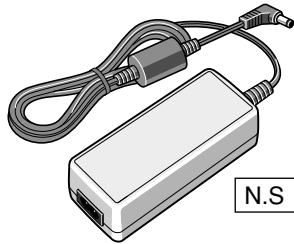
N.S : N.S Stand for No Stock

PARTS LIST

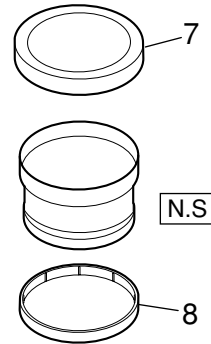
SYMBOL	PARTS NO.	CLASS	QTY	DESCRIPTION	REMARKS
1	C84-1082-000	B	1	STRAP, WRIST WS-300	
2	FC2-9610-000	B	1	CASE, CF	
3	CD1-4054-010	B	1	COVER, TERMINAL NB-2L	

Accessories-2

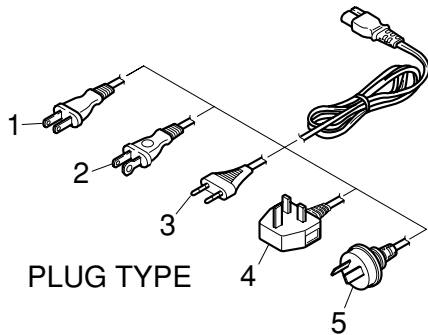
Compact Power Adapter CA-PS700



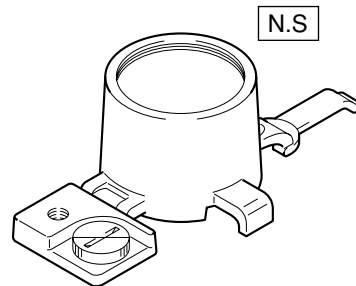
Tele Converter TC-DC10



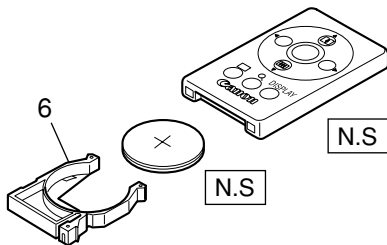
AC Cable



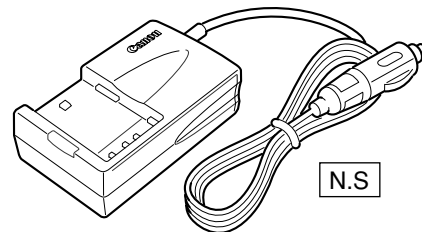
Conversion Lens Adapter LA-DC10



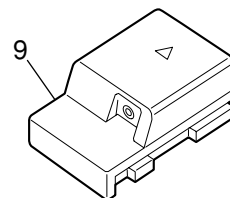
Wireless Controller WL-DC100



Car Battery Charger CBC-NB2



DC Coupler DR-700

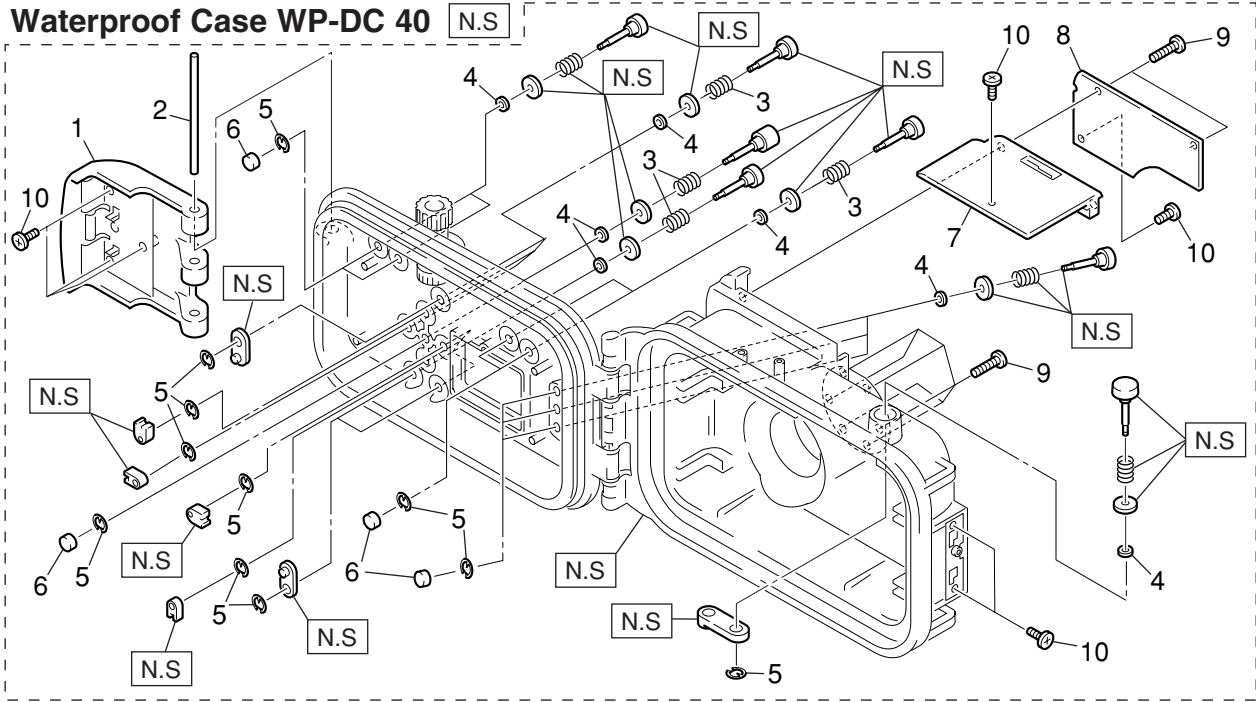


N.S : N.S Stand for No Stock

PARTS LIST

SYMBOL	PARTS NO.	CLASS	QTY	DESCRIPTION	REMARKS
1	D82-0641-000	C	1	CABLE, AC, JAPAN	FOR JAPAN
2	WT3-5063-000	C	1	CABLE, AC, USA	FOR USA, CANADA
3	D82-0643-000	C	1	CABLE, AC, EUROPE	FOR EUROPE, ASIA
4	D82-0644-000	C	1	CABLE, AC, UK	FOR ASIA
5	D82-0645-001	C	1	CABLE, AC, AUSTRALIA	FOR AUSTRALIA
6	CY1-6074-000	B	1	HOLDER, BATTERY	
7	CD3-3016-000	B	1	CAP, FRONT	
8	CD3-3017-000	B	1	CAP, REAR	
9	C84-1078-000	B	1	DC COUPLER DR-700	

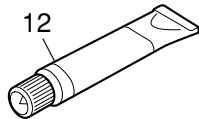
Accessories-3



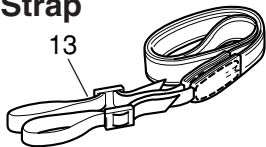
Waterproof Seal



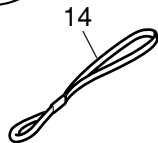
Silicone Grease



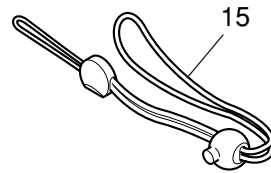
Neck Strap



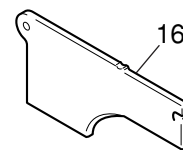
Strap



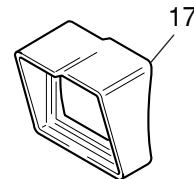
Wrist Strap



Diffusion Plate Unit



Hood



N.S : N.S Stand for No Stock

PARTS LIST

SYMBOL	PARTS NO.	CLASS	QTY	DESCRIPTION	REMARKS
1	CY1-6349-000	C	1	BUCKLE ASS'Y	
2	CD1-5042-000	C	1	SHAFT, BUCKLE	
3	CD1-5038-000	C	10	SPRING, COIL	
4	CD1-5041-000	C	16	O RING(P-3)	
5	CD1-5039-000	C	16	E RING	
6	CY1-6350-000	C	8	CAP, BUTTON	
7	CY1-6354-000	C	1	HOLDER, DEFUSION PLATE	
8	CY1-6355-000	C	1	PROTECTOR, DEFUSION PLATE	
9	CD1-5047-000	C	8	SCREW	
10	CY6-3252-000	C	7	SCREW	
11	CY1-6351-000	B	1	PACKING, RUBBER	
12	DY9-3029-000	C	1	GREASE PACKING	
13	CY1-6099-000	B	1	STRAP, NECK	
14	CY1-6329-000	B	2	STRAP	
15	CY1-6174-000	B	1	STRAP, WRIST	
16	CY1-6352-000	B	1	PLATE, DIFFUSION	
17	CY1-6353-000	B	1	HOOD	